

Technaxx® * User Manual

WiFi Smart Alarm System Starter-Kit TX-84

WiFi Basis Station TX-91

PIR Detection Sensor TX-85

Door & Window Contact TX-86

Remote Control SOS Button TX-87

Alarm Siren TX-88 [→ not enclosed in Kit TX-84]

The manufacturer Technaxx Deutschland GmbH & Co.KG hereby declares that this device, to which this user manual belongs, complies with the essential requirements of the standards referred to the Directive **RED 2014/53/EU**. The Declaration of Conformity you find here: www.technaxx.de/ (in bar at the bottom "Konformitätserklärung"). Before using the device the first time, read the user manual carefully.

Service phone No. for technical support: 01805 012643 (14 cent/minute from German fixed-line and 42 cent/minute from mobile networks). Free Email: support@technaxx.de

If you drill a hole in the wall, please make sure that power cables, electrical cords and/or pipelines are not damaged. When using the supplied mounting material, we do not take the liability for a professional installation. You are entirely responsible to ensure that the mounting material is suitable for the particular masonry, and that the installation is done properly. When working at higher altitudes, there is danger of falling! Therefore, use suitable safeguards.

Important Hint regarding the user manuals:

All languages of the user manual are on the CD enclosed.

Keep this user manual for future reference or product sharing carefully. Do the same with the original accessories for this product. In case of warranty, please contact the dealer or the store where you bought this product.

Warranty 2 years

Table of Contents

1	Features	3
1.1	WiFi Basis Station TX-91.....	3
1.2	PIR Detection Sensor TX-85	3
1.3	Door & Window Contact TX-86.....	4
1.4	Remote Control SOS Button TX-87.....	4
1.5	Alarm Siren TX-88.....	4
2	Packaging list (1x User Manual for all 5 devices together).....	4
3	Product Overview	4
3.1	WiFi Basis Station TX-91.....	5
3.2	PIR Detection Sensor TX-85	5
3.3	Door & Window Contact TX-86.....	6
3.4	Remote Control SOS Button TX-87.....	7
3.5	Alarm Siren TX-88.....	7
4	Product Mounting	8
4.1	WiFi Basis Station TX-91.....	8
4.2	PIR Detection Sensor TX-85	9
4.3	Door & Window Contact TX-86.....	11
4.4	Alarm Siren TX-88.....	13
5	Start Use	14
5.1	WiFi Basis Station TX-91.....	14
5.1.1	Connect Basis Station TX-91 to WIFI and add detector and siren to the Basis Station	14
5.1.2	Add Detector & Siren (TX-85, 86, 88)	16
5.1.3	Clear Detector / Siren Matching Info.....	17
5.1.4	Add Remote Control TX-87	17
5.1.5	Delete Detector, Siren or Remote Control.....	17
5.2	PIR Detection Sensor TX-85	18
5.3	TX-86 Door and Window Contact	19
5.4	Remote Control SOS Button TX-87.....	19
5.5	Alarm Siren TX-88.....	19

6	My Secure Pro APP.....	20
6.1	WiFi Basis Station Alarm.....	20
6.1.1	Select and set mode (Stay, Away, Custom & Disarm)	20
6.1.2	Setting of Detector & Siren	21
6.1.3	Change view of detector & siren list.....	22
6.2	Alarm Basis Station (Hub) Manager	23
6.3	Event List	24
6.4	Local Files.....	25
7	Change batteries of devices	26
8	FAQ.....	26
9	Technical Specification.....	26
9.1	WiFi Basis Station TX-91.....	26
9.2	PIR Detection Sensor TX-85	27
9.3	Door and Window Contact TX-86.....	27
9.4	Remote Control SOS Button TX-87.....	27
9.5	Alarm-Siren TX-88.....	28

1 Features

1.1 WiFi Basis Station TX-91

- Modularly expandable, connect max. 32 detectors [max. 28 detectors (TX-85 & TX-86)], max. 4 Siren (TX-88) ● Connection with up to 6 remote controls ● Push message at alarm release & emergency call ● Two-way communication between detector & basis station ● Transimission distance to sensors ~200m open areas ● Adjustable alarm tone volume (mute, silent, loud) ● Easy installation & configuration via Smartphone with My Secure Pro APP (iOS & Android) ● Activate & Deactivate of the alarm system via remote control or APP ● 5V/2A power supply via USB power adapter

1.2 PIR Detection Sensor TX-85

- Alarm release at motion detection, ~12m distance ● Built-in vadalism alarm ● Two-way communication between PIR & basis station ● Transimission distance ~200m open areas ● Two levels of sensitivity adjustable ● Viewing angle 90° horizontal & 70° vertical ● Push message at low battery level ● ~3 years battery life time at ~20 operations/day

1.3 Door & Window Contact TX-86

- Sensor alarm triggering at ~2.5cm distance
- Built-in vandalism alarm
- Two-way communication between contact & basis station
- Transmission distance ~200m open areas
- Push message at low battery level
- ~3 years battery life time at ~20 operations/day

1.4 Remote Control SOS Button TX-87

- SOS button for emergency calls with Push message
- 4 adjustments possible: activate, stay at home, disarm, SOS

1.5 Alarm Siren TX-88

- Acoustic and visual alarm for deterrence
- Sound intensity is 85dB (1m)
- Built-in vandalism alarm
- Two-way communication between siren & basis station
- Transmission distance ~200m open areas
- Push message at low battery level
- ~1.5 years battery life time at ~2 operations/day

2 Packaging list (User Manual for all 5 devices)

WiFi Basis Station TX-91: 1x USB power adapter, 1x Micro USB cable, 3x screws, 3x dowels, 1x adhesive tape # **PIR Detection Sensor TX-85:** 1x bracket (on the device), 4x screws, 4x dowels, 1x CR123A battery # **Door & Window Contact TX-86:** 4x screws, 4x dowels, 1x CR123A battery, 2x adhesive tape # **Remote Control SOS Button TX-87:** 1x CR2032 battery 3V (installed in device) # **Alarm Siren TX-88:** 4x screws, 4x dowels, 4x CR123A batteries

3 Product Overview

The alarm system with Basis Station ("The Brain"), PIR Sensor, Door & Window contact, Remote and Alarm Siren is a basic kit for your home security (all sensors/detectors are available separately). The Basis Station is installed and used with the free My Secure Pro APP (only for Smartphone iOS & Android). You can connect max. 32 detector (max. 28 detector (TX-85 & TX-86), max. 4 Siren (TX-88). The Basis Station has to be connected to your WiFi. Its sensors/detectors/sirens are connected with the radio frequency 868MHz to the Basis Station. Over die APP the Basis Station informs you via push notification on your Smartphone, when door/indow are open or the PIR Sensor is triggered. As well the Basis Station and the conncted siren will start to make noise and frighten the burglar.

Attention: The devices included in the TX-84 Kit (TX-85, 86, 87, 88 and 91) are all for indoor use only. If you want to install and use the devices outside you have to install it on your own risk of damage and warranty lose.

3.1 WiFi Basis Station TX-91

The Basis Station is the brain of your alarm system. It has to be connected to your WiFi network. About this way it can send you push notifications on your Smartphone. With the 868MHz transmission it is able to connect to the detectors, sensors, remotes and sirens. The technique allows spanning a transmission range up to ~200m open space (no interference).

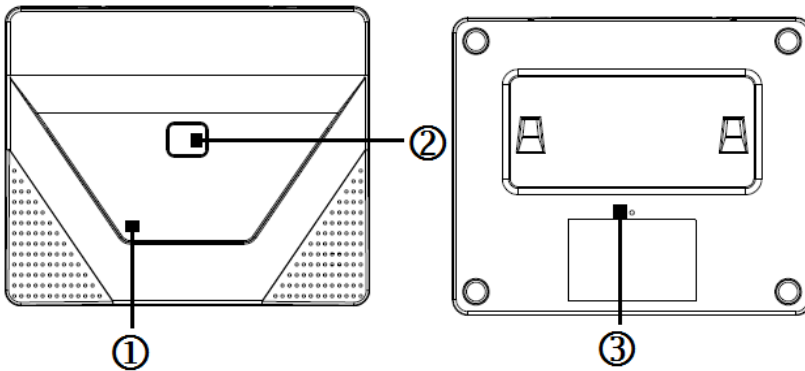


Figure 3-1

1 = Power indicator; 2 = Function key; 3 = Reset button

3.2 PIR Detection Sensor TX-85

This PIR TX-85 Detector is an indoor wireless passive infrared intrusion detector. When a zone is intruded, the detector will output alarm signal via wireless module to upload to wireless alarm Basis Station, thus alarm is generated and send as push notification to your Smartphone.

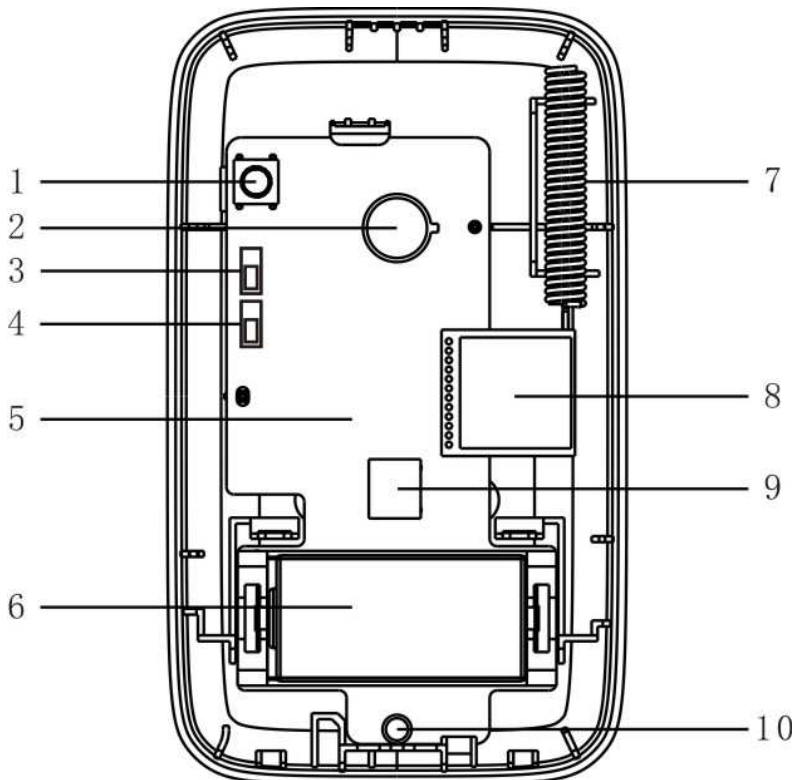


Figure 3-2

1	Case vandal-proof switch	6	Battery (Type CR123A)
2	Pyroelectric infrared detector	7	Antenna
3	Sensitivity adjustment	8	WiFi module
4	LED adjustment	9	Wall vandal-proof switch (backside)
5	Motherboard PCB (Printed Circuit Board)	10	LED

3.3 Door & Window Contact TX-86

This Door Detector is wireless intrusion detector. When arming zone is intruded, the detector will output alarm signal via wireless module to upload to wireless alarm Basis Station, thus alarm is generated.

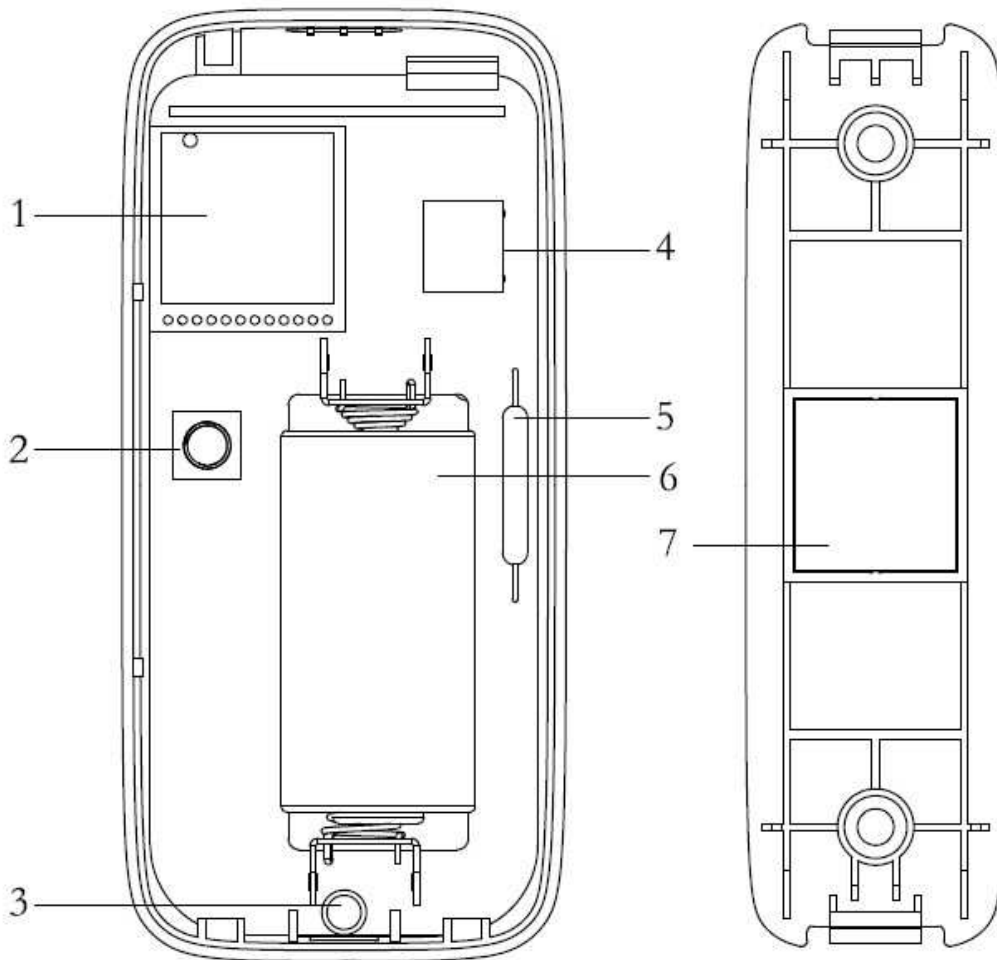


Figure 3-3

1 = WiFi Module; 2 = Case vandal-proof switch; 3 = LED; 4 = Wall vandal-proof switch (backside); 5 = Reed switch; 6 = Battery (Type CR123A); 7 = Magnet

3.4 Remote Control SOS Button TX-87

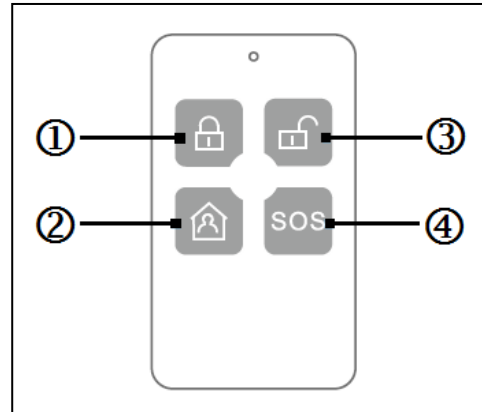
With the Remote Control you can change the modus arm, disarm, stay at home or you can activate the siren by pressing SOS. It is for home use. To easily disarm your alarm system when you coming home or arming the alarm system when you leave (see Figure 3-4 below).

1 = Activate the alarm system (on the road)

2 = Home Mode (at home)

3 = Deactivate the alarm system

4 = Manuel Alarm (emergency alarm)



3.5 Alarm Siren TX-88

This wireless Siren is a device which can generate warning signal via sound and flash, when activated. When someone enter the armed zone, detector outputs alarm signal to wireless alarm Basis Station, and the Basis Station outputs control signal to the siren wirelessly. It generates sound/flash signal for warning purpose.

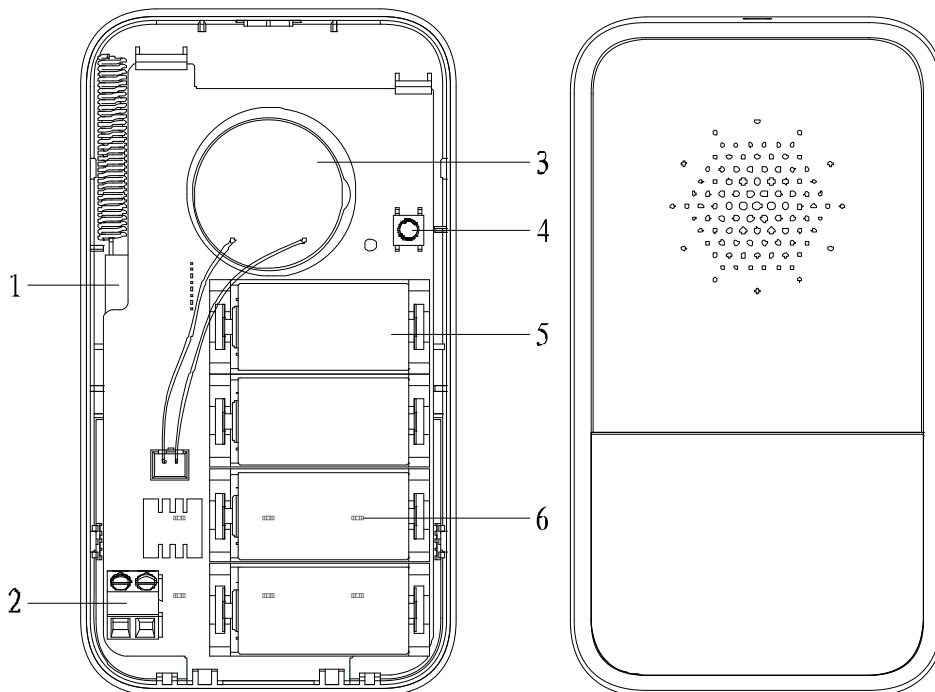


Figure 3-5

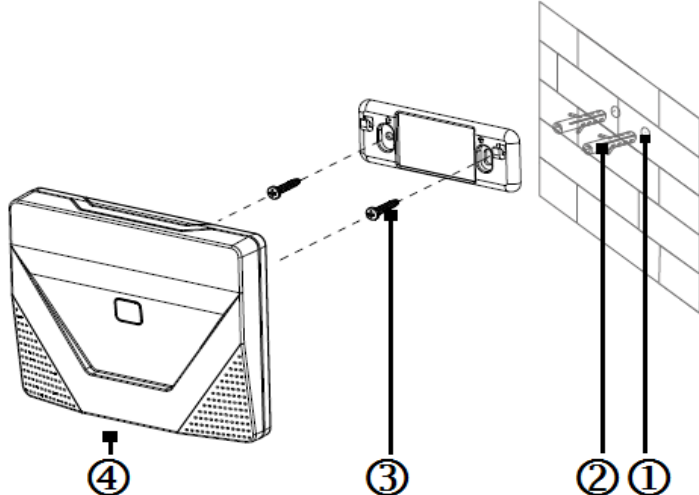
1 = WiFi Module; 2 = DC 12V Power Adapter; 3 = Loudspeaker (Buzzer); 4 = Case vandal-proof switch; 5 = Battery (Type CR123A); 6 = LED

4 Product Mounting

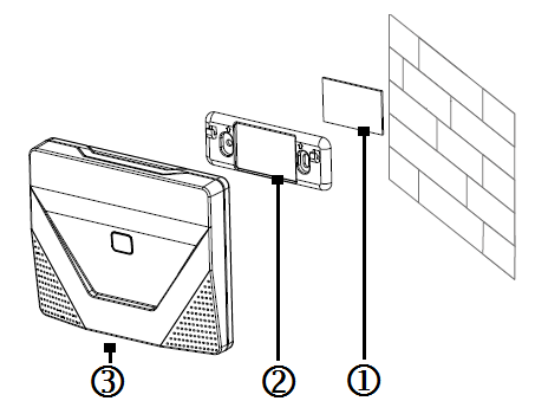
Before fix mounting insert batteries, configure the device first and try it out. See chapter 5.

4.1 WiFi Basis Station TX-91 → Device is for indoor use only

Screw installation: If you want to mount the device make sure there is a power socket nearby and the WiFi signal is good constantly.

<p>Step 1. Dig holes according to bracket position.</p> <p>Step 2. Insert a dowel (=expansion bolt) into the hole.</p> <p>Step 3. Fix bracket via screw.</p> <p>Step 4. Buckle the Basis Station into bracket from top to bottom.</p>	 <p>Figure 4-1</p>
---	---

Double-sided adhesive tape Installation: If you want to mount the device make sure there is a power socket nearby and the WiFi signal is good constantly.

<p>Step 1. Before using the double-sided adhesive tape* (*included), clean the flat surface you want to stuck it on with nail polish remover or alcohol.</p> <p>Attention: This can maybe cause damage to the surface, but will increase the strength of the connection</p> <p>Step 2. Stick double-sided adhesive tape (not included)r on the bracket.</p> <p>Step 3. Stick the bracket on appropriate position on wall (That you have cleaned before).</p> <p>Step 4. Buckle Basis Station into bracket from top to bottom.</p>	 <p>Figure 4-2</p>
--	--

4.2 PIR Detection Sensor TX-85 → Device is for indoor use only

Warnings:

- Installation and debugging must be executed by professional staff. If you encounter device failure, please do not open and repair the device, you shall contact its after-sales department.
- Avoid installation under direct sunlight.
- Avoid installation in environment of rapid change in wind speed.
- Avoid installation in places where the temperature is too high.
- Avoid installation in places with obstruction in the detection range of the device.
- Avoid installation in places with a large amount of metal objects.

Steps of installation:

Step 1. The sensor should be mounted in about 2.1~2.5m height. Take down installation bracket at the bottom back of detector; see Figure 4-3 below. (Left: PIR Sensor, Right: Installation bracket)

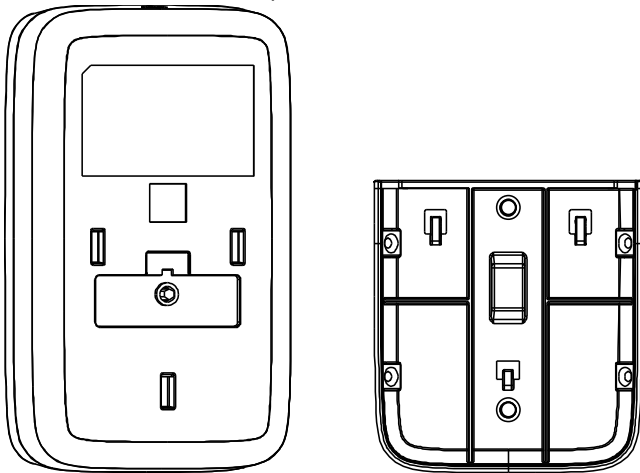


Figure 4-3

Step 2. Drill through the fixing hole on installation bracket (for wall mount figure 4-4 or corner mount figure 4-5).

Step 3. For wall mount, installation bracket bottom is parallel to the wall. Fix it on wall with 2 screws via the hole on installation bracket, and hang device on hanger on installation bracket. See Figure 4-4.

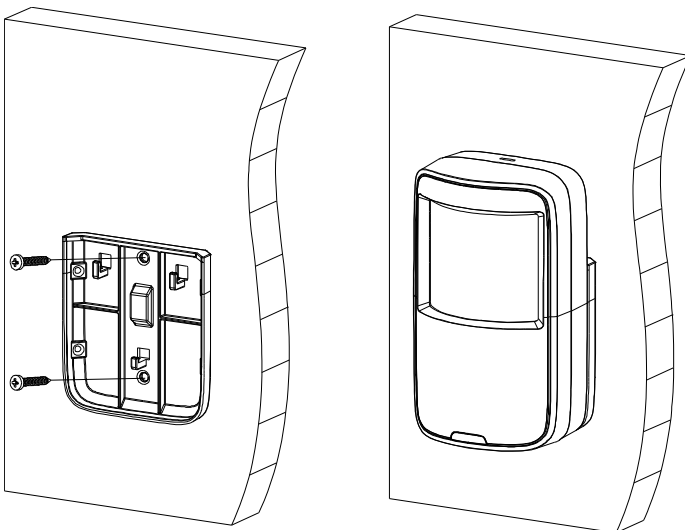


Figure 4-4

Step 4. For corner mount, form a triangle with installation bracket and two walls. Fix it on wall with screws via the hole on installation bracket. Hang device on hanger on installation bracket. See Figure 4-5.

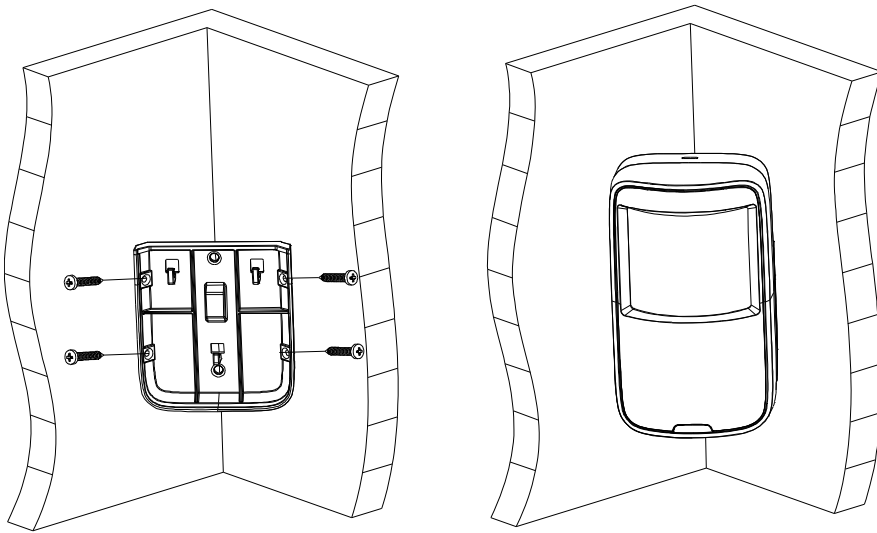


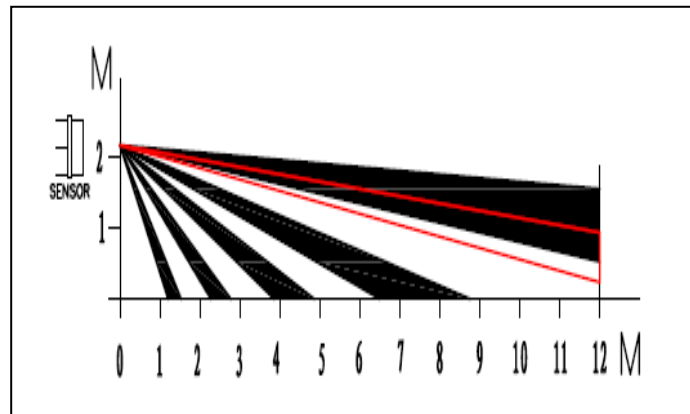
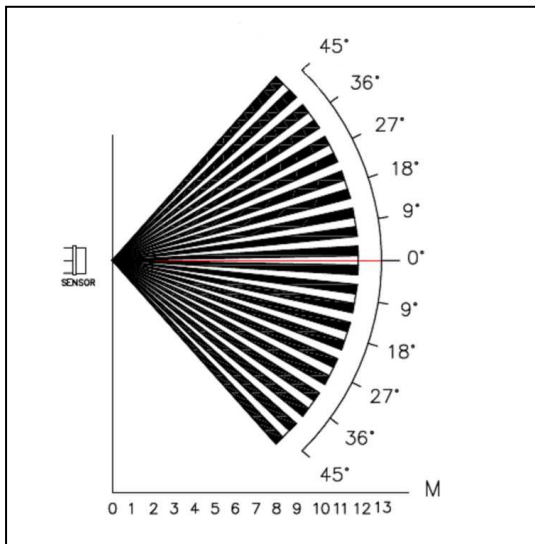
Figure 4-5

Horizontal angle (range) of detection 90°

(see Figure 4-6 below)

Detection distance is ~1m up to ~12m

(see Figure 4-7 below)



4.3 Door & Window Contact TX-86 → Device is for indoor use only

Warnings: ● Installation and debugging must be executed by professional staff. If you encounter device failure, please do not open and repair the device, you shall contact its after-sales department. ● Avoid installation in environment with large magnetic field around. ● Avoid installation in places with a large amount of metal objects. ● Be careful with direction of installation, and install the magnet on the rear side with arrow (back) of the sensor. See Figure 4-8 (Right: Sensor; Left: Magnet).

Tip: We recommend double-sided adhesive tape (not included) form for installation.

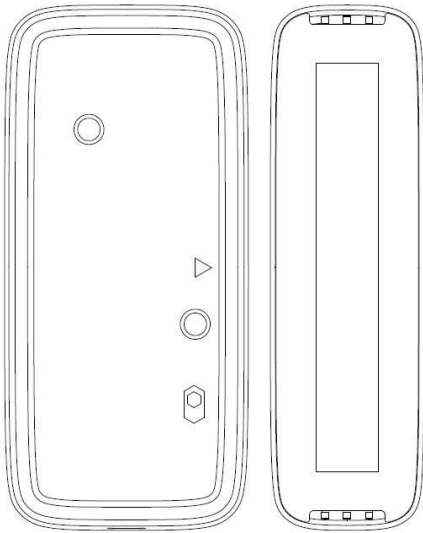


Figure 4-8

1. Mounting by fixing with screw:

Step 1. Open device housing, follow Figure 4-9. Use straight screwdriver to take down device rear cover. Remove the circuit board before you go one with step 2 or use 3M rubber form as mounting option.

Step 2. Drill carefully the marked markings on the drill holes on the rear side of the unit. Draw the holes with a pencil. Make sure that the sensor and magnet are at a maximum of 2.5cm. If possible, the sensor and magnet should not have any misalignment, and they should be as close as possible to one another without touching.

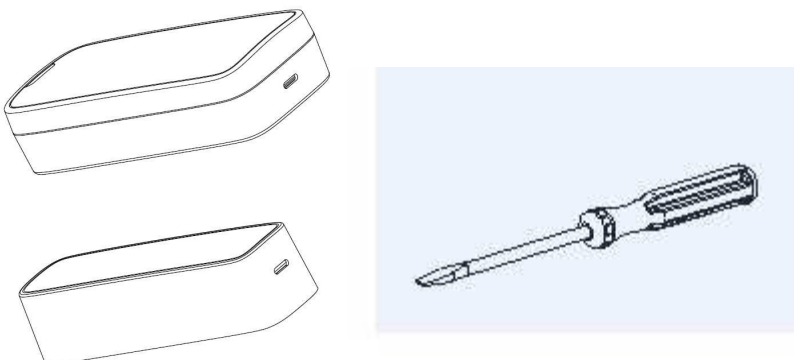


Figure 4-9

Step 3. Follow Figure 4-10, pre-drill two holes on fixed part of door/window frame, and pre-drill two holes on mobile part of door/window.

Step 4. Face device rear cover with bolt, insert and fasten the screws to fix the front covers.

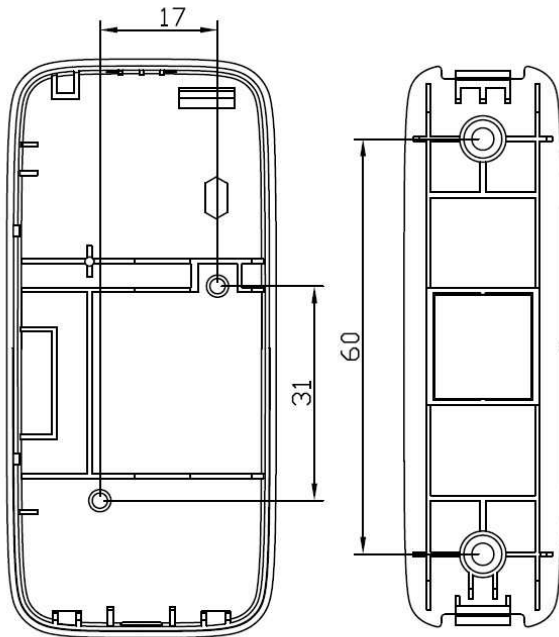


Figure 4-10

2. Mounting by fixing with double-sided adhesive tape* (*included):

Step 1. Paste adhesive at back of the device, see Figure 4-11.

Step 2. Paste the sensor on the unmovable part of the door or the window, and the magnetic contact on the movable part of the door or the window. Between sensor and magnetic contact should only be 2.5cm distance. When device installation is complete. See Figure 4-12

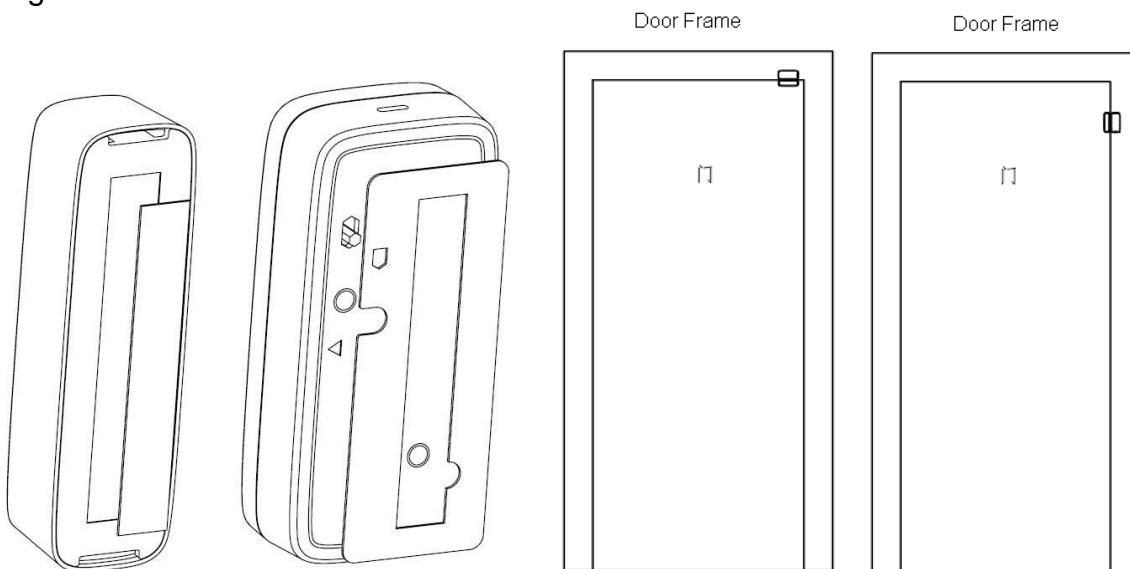


Figure 4-11

Figure 4-12

4.4 Alarm Siren TX-88 → Device is for indoor use only

Warnings: ● Installation and debugging must be executed by professional staff. If you encounter device failure, please do not open and repair the device, you shall contact its after-sales department. ● Avoid installation in environment with large magnetic field around. ● Avoid installation in places with a large amount of metal objects. ● Device only for indoor use.

Mounting by fixing with screw:

Step 1. Please open device package, follow Figure 4-13. Use straight screwdriver to take down device rear cover.

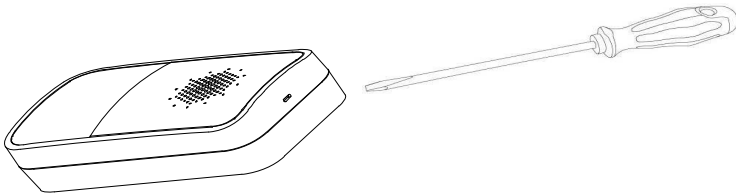


Figure 4-13

Step 2. Follow Figure 4-14. Line the drill holes as shown in the figure or by attaching the housing. Dig three holes on wall and insert one dowel in one hole each.

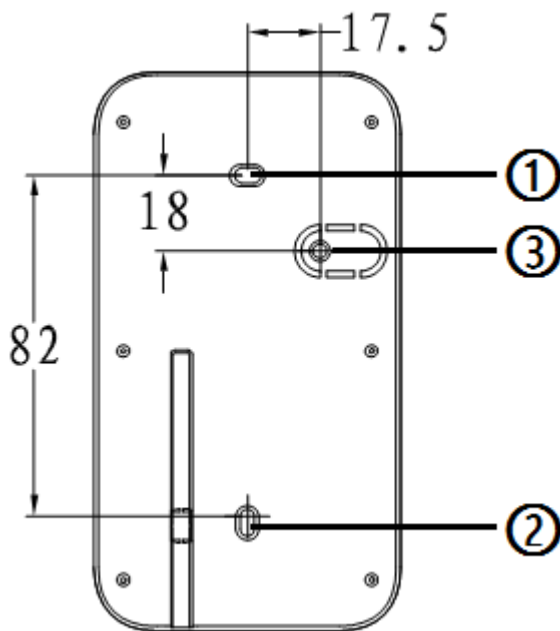


Figure 4-14

Step 3. Face device rear cover to expansion with bolts, install the screws at fasten the cover to the positions (1) and (2) on wall. If you want to have leaving-wall vandal-proof function for the device, insert a screw also at (3).

Step 4. Close device front cover component to complete.

5 Start Use

5.1 WiFi Basis Station TX-91

Connect Power: Use the included power adapter and Micro USB cable to connect the Basis Station with the AC socket.

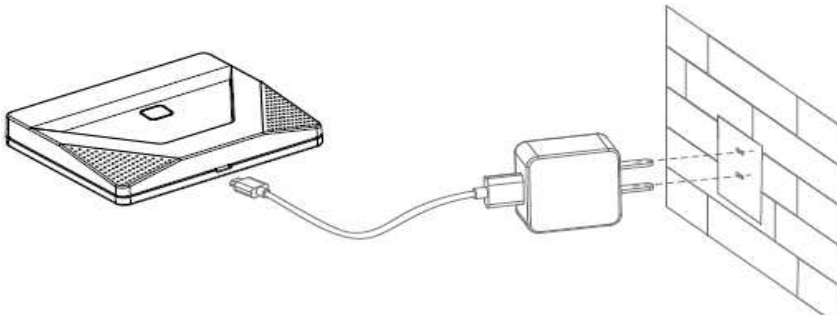


Figure 5-1



Download the APP

Search for My Secure Pro APP, then download and start the APP.

Tips: Android user go to Google Play Store and search for My Secure Pro. Apple user goes to Apple Store and search for My Secure Pro.

5.1.1 Connect Basis Station TX-91 to WIFI and add detector and siren to the Basis Station

Step 1. Make sure the mobile phone is connected to WIFI (2.4GHz) and it has strong signal.

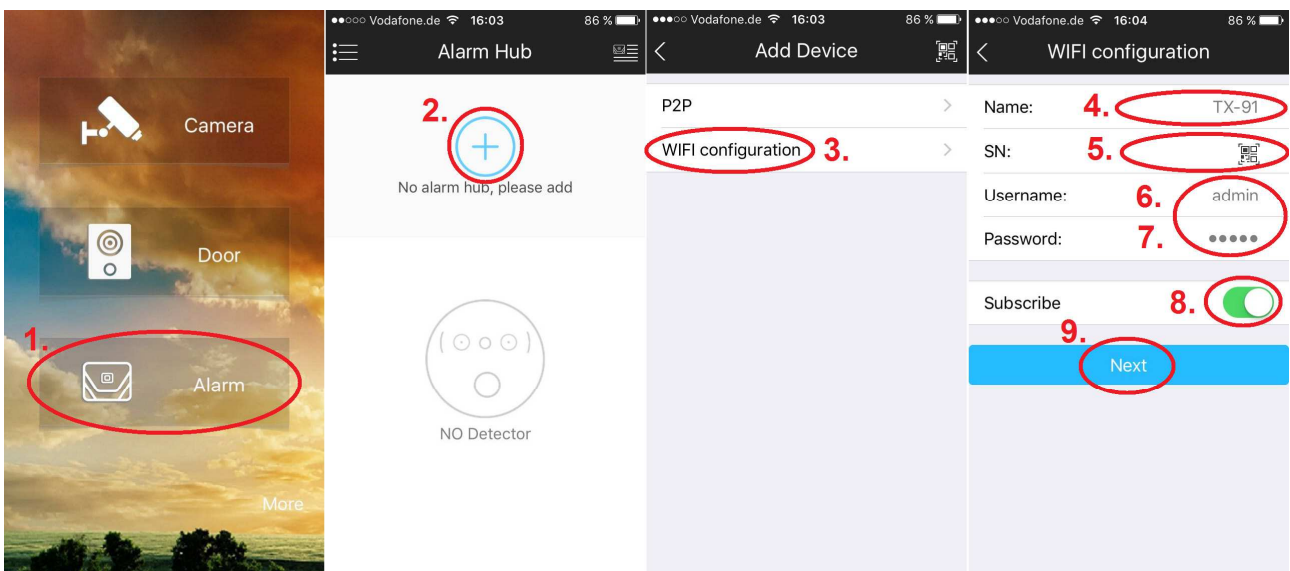


Figure 5-2

Step 2. See figure 5-2. Open APP, click "Alarm" (1). Press + (2) to add new Alarm hub and choose WiFi configuration (3).

Step 3. Input Basis Station name (4), click the icon of QR code (5), and scan the QR code on the back of the Basis Station. Username (6) and Password (7) are admin. Also enable subscribe for getting Push Notifications (8). Click “Next” (9) after it is successfully recognized, input WIFI password (10) (WiFi key of the router). See figure 5-4. **STOP!** Go on with Step 4.

Step 4. (11) Long press the function key (No.2) of Basis Station for 6 seconds and the blue LED flashes slowly. **1 = Power indicator; 2 = Function key**

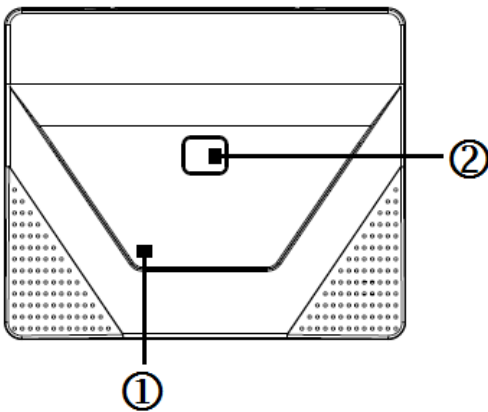


Figure 5-3

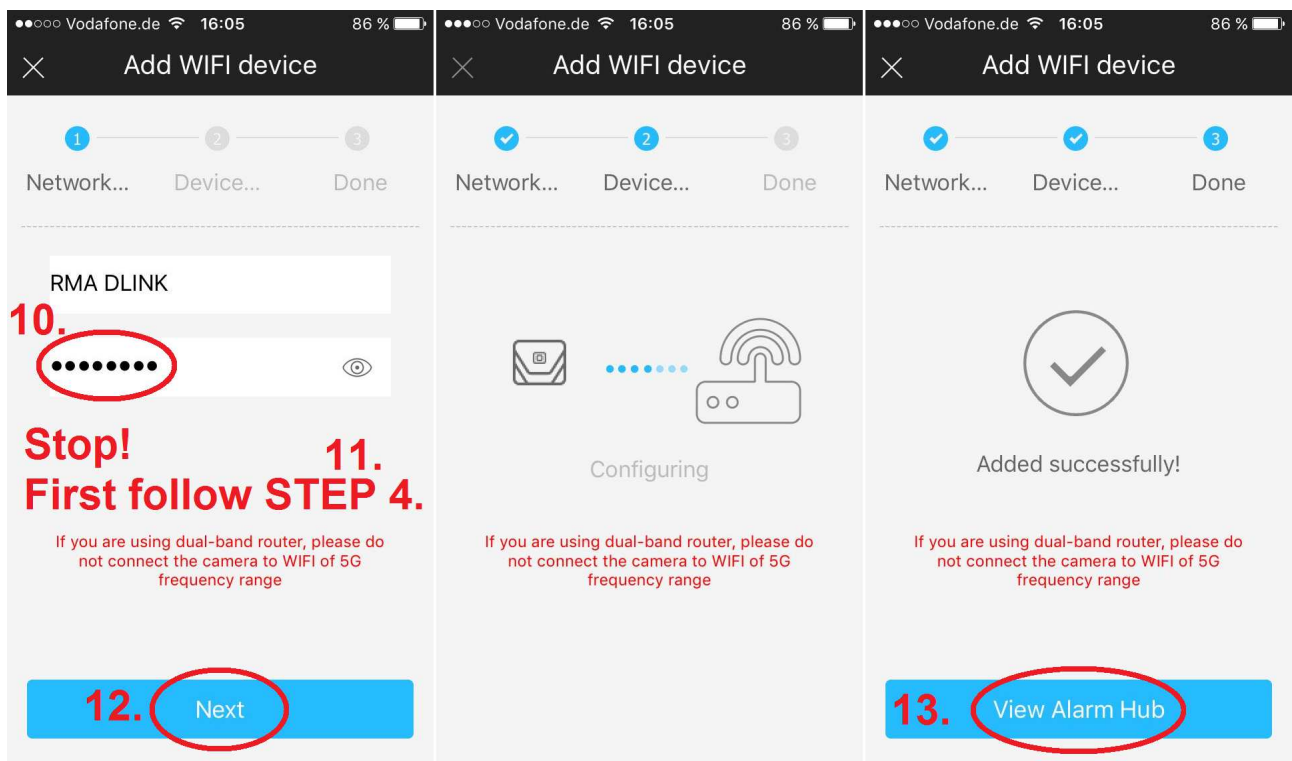


Figure 5-4

Step 5. Click “Next” (12) and the Basis Station begins to acquire WIFI info. The blue LED is normally on and begins WIFI matching after it is successfully acquired. If APP says “added successfully” (13), it means WIFI connection is successful, otherwise matching failed, please repeat the above step. **Tip:** The longest duration for Basis Station to acquire WiFi info can be 120 seconds.

Step 6. To connect Detector & Siren with the Basis Station press function key of Basis Station to enter the matching mode. Blue LED starts flashing. Now insert the battery into the detector/siren you want to add. The Basis Station informs you with a beep that the detector/siren is connected with the Basis Station. Same way for other detectors and sirens. Matching mode will last for max. 120s or you turn it off by pressing function key of the Basis Station again. To add. For adding remote control, see chapter 5.4. If you have any issues follow the chapters below. **Tip:** For the first configuration of the Basis Station you use WiFi configuration. After that you can use P2P connection and QR-code to add the Basis Station of alarm system to other Smartphones.

5.1.2 Add Detector & Siren (TX-85, 86, 88)

In matching mode, it can add several detector and sirens in sequence. It is to realize monitoring alarm when it is binded with Basis Station.

Step 1. Short press the function key of Basis Station to enter matching mode, then the blue LED flashes quickly.

Step 2. Power on the detector/siren (by inserting battery or power input), auto enter matching mode, it means it is successfully matched when the Basis Station gives off the prompt tone of “beep”; otherwise the matching fails.

If matching fails, you can repeat the second step until it successfully matches, or you can press the tamperproof switch by taking of the detector case and match manually.

Take wireless passive IR intrusion detector as an example, the location of tamperproof switch is shown as follows: **1 = Case tamper proof switch**

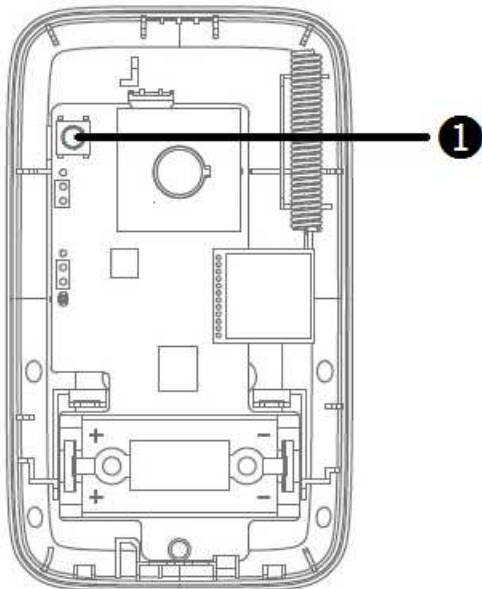


Figure 5-5

Tip: The matching process will last 120 seconds, after that it will auto exit matching mode, the indicator light of the Basis Station becomes normally blue. You can press the function key of the Basis Station to manually stop matching during the process.

5.1.3 Clear Detector / Siren Matching Info

If the detector needs to be used with new Basis Station or restored factory default, you can operate according to the following steps. Quickly press the tamperproof switch of the case for 5 times, clear the config info of the detector/siren, restore to the initial status. The indicator light will be normally on for 6s and then flash if it clears successfully.

Tip: The operation above can be used to fix malfunctions.

5.1.4 Add Remote Control TX-87

It is to arm/disarm and enable emergency alarm after binding remote controller and Basis Station via matching mode.

Step 1. Short press the function key of Basis Station to enter matching mode, and then the blue LED light flashes quickly.

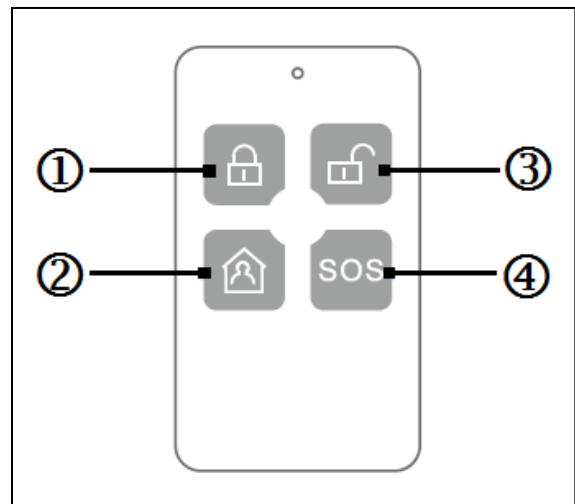
Step 2. Long press any key of the wireless remote control for 2s, and then the Basis Station gives off the prompt tone of “beep”, which means it is successfully matched, otherwise, matching failed, please match again. See Figure 5-6 below.

1 = Activate the alarm system (on the road)

2 = Home Mode (if you are at home)

3 = Deactivate the alarm system

4 = Manuel Alarm (Emergency alarm)

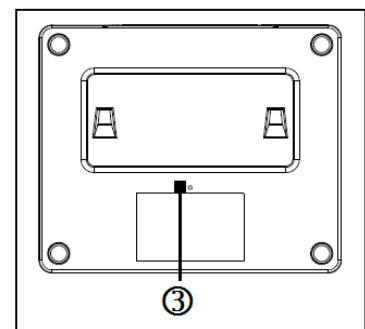


Tip: Enter match mode, you can add several wireless remote controllers. This process will take 120 seconds, and then auto exit matching mode, the blue LED light is normally on. During the matching process, press function key on the Basis Station to manually end matching. Emergency Alarm is a manual alarm that activates the Basis Station and siren alarm only.

5.1.5 Delete Detector, Siren or Remote Control

Method 1 (delete individually): In APP check accessory details and press on delete disconnect the connection to the Basis Station.

Method 2 (delete all in one): Press the RESET button of the Basis Station for 6 seconds, when the device is powered on. The Basis Station restarts and is restored to factory default settings (see Figure 5-7 right hand side) **3 = RESET**



5.2 PIR Detection Sensor TX-85

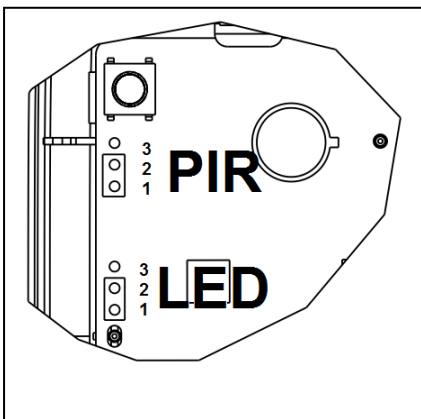
1. Network: Before you can normally use PIR detector, you must match device with Basis Station. **Connection with Basis Station:** Activate the pairing mode at the Basis Station with the function key and power on the detector. When red LED is blinking, dial the vandal-proof switch and indicator is flashing. Wait about 10 seconds. If the red LED turns OFF, the matching is successful. If the indicator flashes for three times, the matching is failed. You shall follow these steps and try again.

Note: If the detector has been matched to another alarm host, you cancel previous matching by quickly dialing vandal-proof switch. (5 times within 1 second)

2. PIR Setup for advanced user

You can set the PIR sensitivity according to product usage environment or distance requirement for sensor. For the PIN setting you can set two levels for position of plunger pin: 1&2 or 2&3; select 1&2 (1P) as level 1 pulse; select 2&3 (2P) as level 2 pulse. Default setup is 1P. 1P sensor sensitivity is high while 2P sensor sensitivity is low. See Figure 5-8 below.

3. LED Setup for advanced user



The red ON/OFF LED shows the operating status. See Figure 5-8 left hand side.

You can set two plans at the plunger pin: 1&2 or 2&3, select 1&2 as LED OFF, select 2&3 as LED ON, default setup is LED ON. See Figure 5-6.

Note: This operation does not influence normal operation of detector

4. Installation Test

You can test working status of detector: Within detection range of the detector, walk at the rate about step speed to trigger the detector. The red indicator shines ON for 2 seconds, which means the PIR sensor is triggered, and detector enters alarm status. It outputs alarm signal and a PUSH notification is send to the Smartphone.

Note: If you have deactivated LED via the PIN configuration, the LED does not (!) shine for 2 seconds red.

5.3 TX-86 Door and Window Contact

Before you can normally use Door/Window Contact you must match device with Basis Station.

Connection with Basis Station: Activate the pairing mode at the Basis Station with the function key and power on the detector. When red LED is blinking, dial vandal-proof switch and indicator is flashing. Wait about 10 seconds. If the red LED is OFF, the matching is successful. If the indicator flashes for three times, the matching is failed. You shall follow these steps and try again.

Note: If the detector has been matched to other alarm host, you cancel previous matching by quickly dialing vandal-proof switch. (5 times within 1 second)

5.4 Remote Control SOS Button TX-87

For adding the remote and button configuration see chapter 5.1.4 Add Remote Control TX-87.

5.5 Alarm Siren TX-88

Before you can normally use Siren, you must match device with Basis Station.

Connection with Basis Station:

Activate the pairing mode at the Basis Station with the function key and power on the detector.

When red LED is blinking, dial vandal-proof switch and indicator is flashing. Wait about 10 seconds. If the red LED is OFF, the matching is successful. If the indicator flashes for three times, the matching is failed. You shall follow these steps and try again.

Note: If the detector has been matched to other alarm host, you cancel previous matching by quickly dialing vandal-proof switch. (5 times within 1 second).

6 My Secure Pro APP

On the main menu choose Alarm. After you have added the Basis Station TX-91 like in chapter 5.1.1 Connect the Basis Station TX-91 to WIFI and add detector and siren to the Basis Station you have the following options.

6.1 Basis Station Alarm

6.1.1 Select and set mode (Stay, Away, Custom & Disarm)

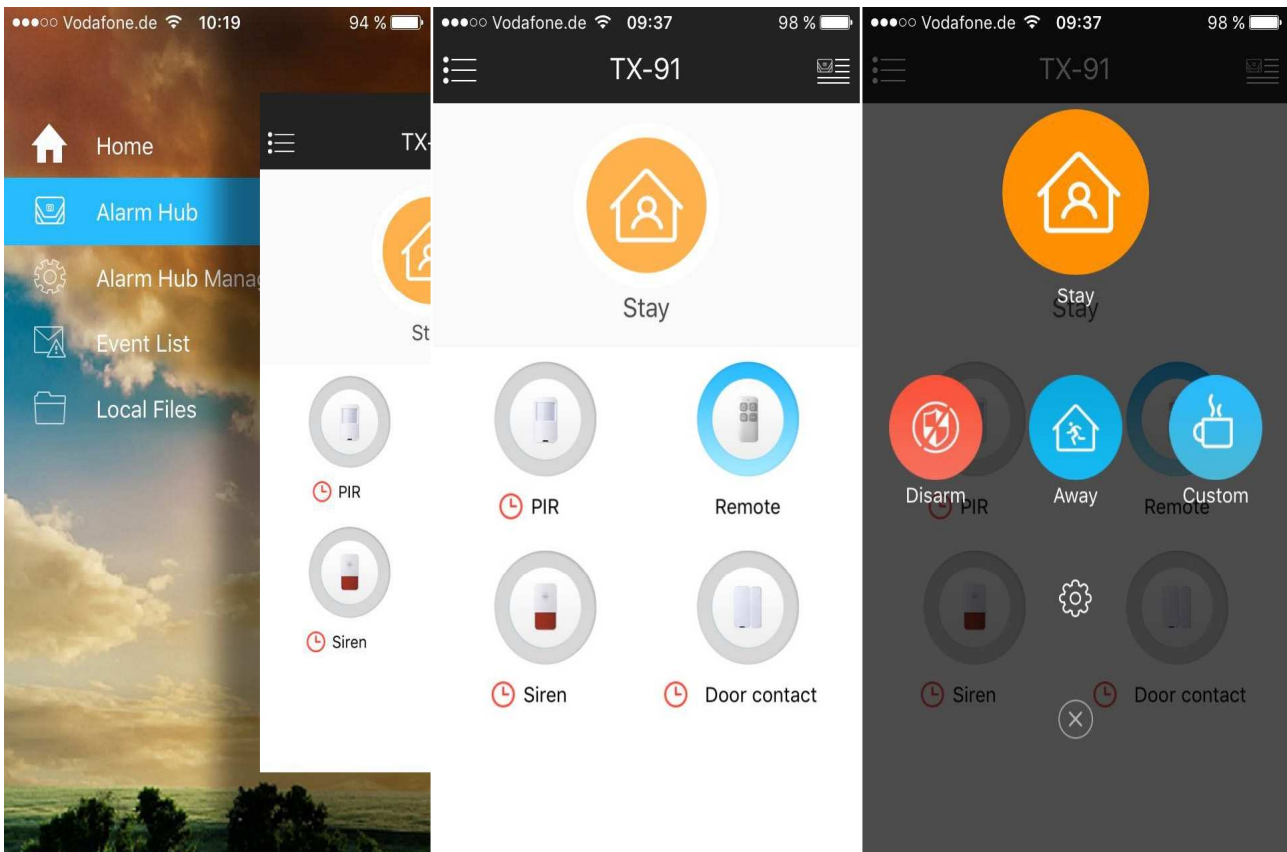


Figure 6-1

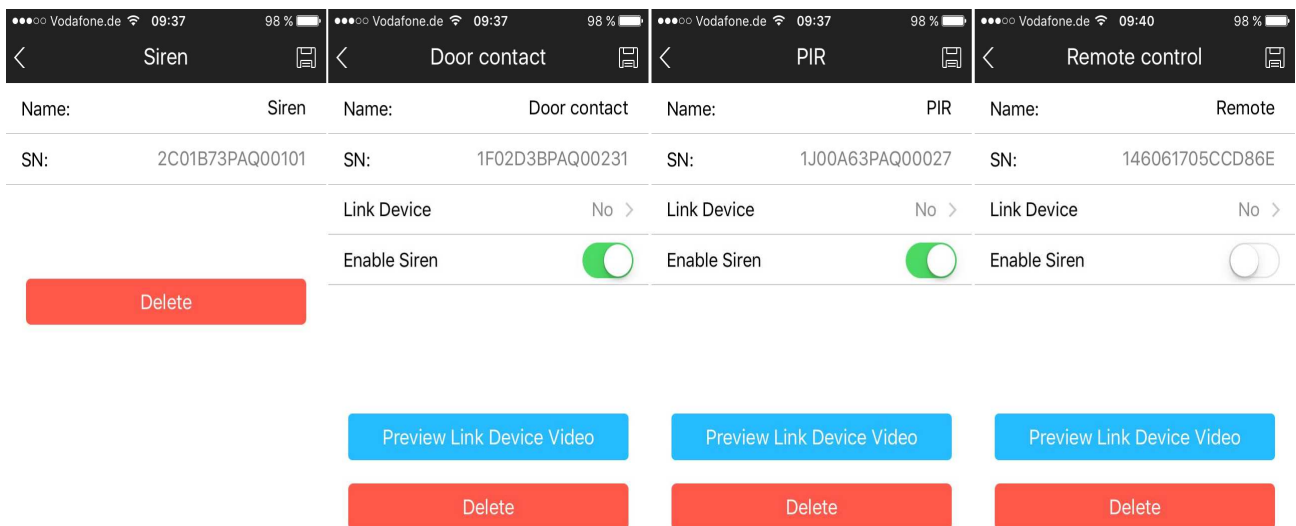
Stay	When you are at home, press “Stay” than the alarm system is disarmed. A short beep of the Basis Station shows that the mode is activated/ changed.
Away	When you leave home, press “Away” the Basis Station starts to beep. After the last beep the countdown is over and the Alarm system is armed. Now door contact and PIR-sensor will activate the Basis Station and the Siren.
Custom	When you activate “Custom” it is possible to set selected detector as activated. You stay e.g. at home and still want to activate all Door/Window contacts. Then under „Custom“ activate all Door/Window contacts. In this case the PIR sensors will not trip, and you can move freely in the house/flat, as long as you do not open any door or window.
Disarm	When the alarm system is triggered while you are away or at home and want to stop the buzzer of Basis Station and siren, press “Disarm”. Now the alarm system is deactivated.

Setting (Gear)	Select for the different mode (Stay, Away, Custom and Disarm) which detector should be activated.
Audio Setting (loudspeaker)	Set the volume of the base station's alarm tone. Set the volume of the base station between mute, silent or loud. Note: this setting does not affect the volume of the siren.

Tip: The alarm tone (buzzer) of Basis Station and siren can temporarily deactivated by pressing on the function key of the Basis Station. **Attention:** After pressing the function key is flashing blue. While the functions key is flashing blue no detector trigger is recognized. Press functions key again to stop function key flashing blue. The function key must remain permanently blue to ensure the detection of the detectors.

6.1.2 Setting of Detector & Siren

Press on the symbol of detector or siren you want to set. See Figure 6-2. below

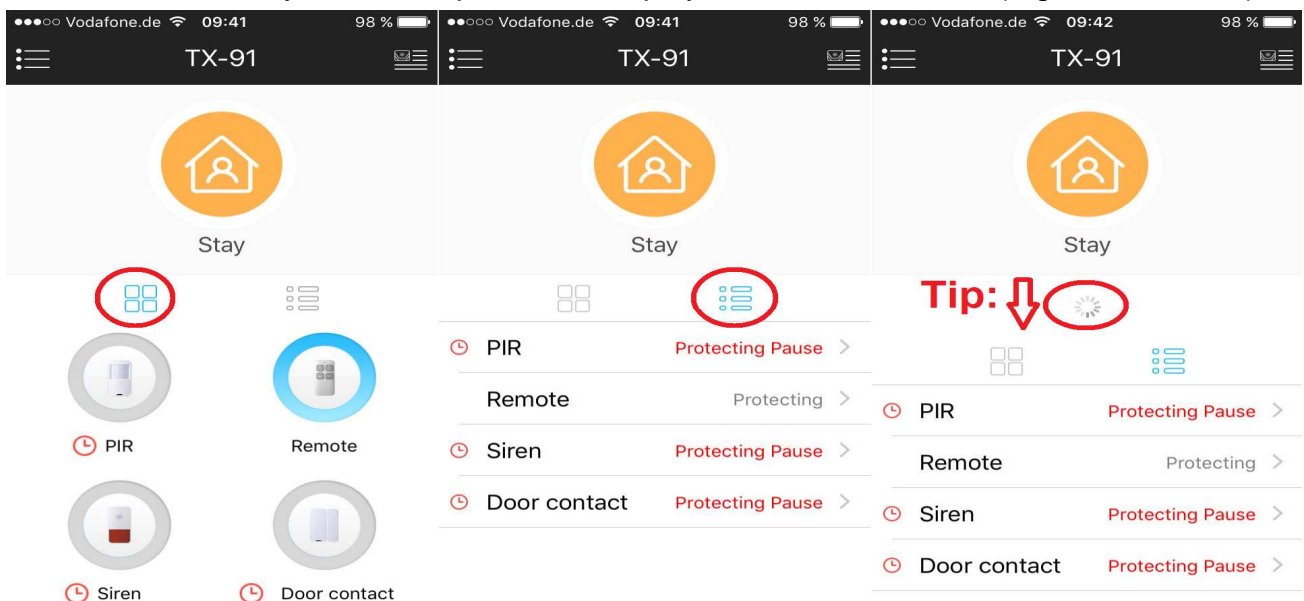


Siren	Name: Set name of the device.
	Save: Press the disk on the top right corner on display.
	Delete: The siren is disconnected from the Basis Station, until you reconnect the device. See chapter 5.1.2 Add Detector & Siren.
Door contact	Name: Set name of the device.
	Link Device: Select a device (camera or door phone). The live view of the selected device will be shown when you open the push notification.
	Enable Siren: When the door contact is triggered the siren will be activated. If you disable that function siren will not buzz or flash, when the device is triggered.
	Preview Link Device Video: Pressing this button shows you the live view of the selected device that was chosen under "Link Device".
	Save: Press the disk on the top right corner on display.
	Delete: The siren is disconnected from the Basis Station, until you reconnect the device. See chapter 5.1.2 Add Detector & Siren.

PIR	Name: Set name of the device.
	Link Device: Select a device (camera or door phone). The live view of the selected device will be shown when you open the push notification.
	Enable Siren: When the PIR Sensor is triggered the siren will be activated. If you disable that function siren will not buzz or flash, when the device is triggered.
	Preview Link Device Video: Pressing this button shows you the live view of the selected device that was chosen under "Link Device".
	Save: Press the disk on the top right corner on display.
	Delete: The siren is disconnected from the Basis Station, until you reconnect the device. See chapter 5.1.2 Add Detector & Siren.
Remote	Name: Set name of the device.
	Link Device: Select a device (camera or door phone). The live view of the selected device will be shown when you open the push notification.
	Enable Siren: When you press SOS button the siren will be activated. If you disable that function siren will not buzz or flash, when the device is triggered.
	Preview Link Device Video: Pressing this button shows you the live view of the selected device that was chosen under "Link Device".
	Save: Press the disk on the top right corner on display.
	Delete: The siren is disconnected from the Basis Station, until you reconnect the device. See chapter 5.1.2 Add Detector & Siren.

6.1.3 Change view of detector & siren list

By swiping down at the alarm Basis Station interface beneath the selected mode (Stay, Away, Custom or Disarm) you can choose between two modes. 1. option is to display the detector with their symbols. 2. option is to display the detector in a list (Figure 6-3 below)



Tip: When you want to refresh the detector list or the mode, just swipe to the bottom. The following symbols can be shown in front of the device name:



the battery status of that device is low. Need to change the battery (CR123A 3V). If the battery gets low you will receive a push notification.



the device is offline. Reasons can be that the distance between Basis Station and detector/sensor is too big, there are interferences that interrupt the signal or battery is empty. If the device is offline you will receive a push notification

6.1.4 Alarm Basis Station (Hub) Manager

By clicking on a connected device there are two options (see Figure 6-4).

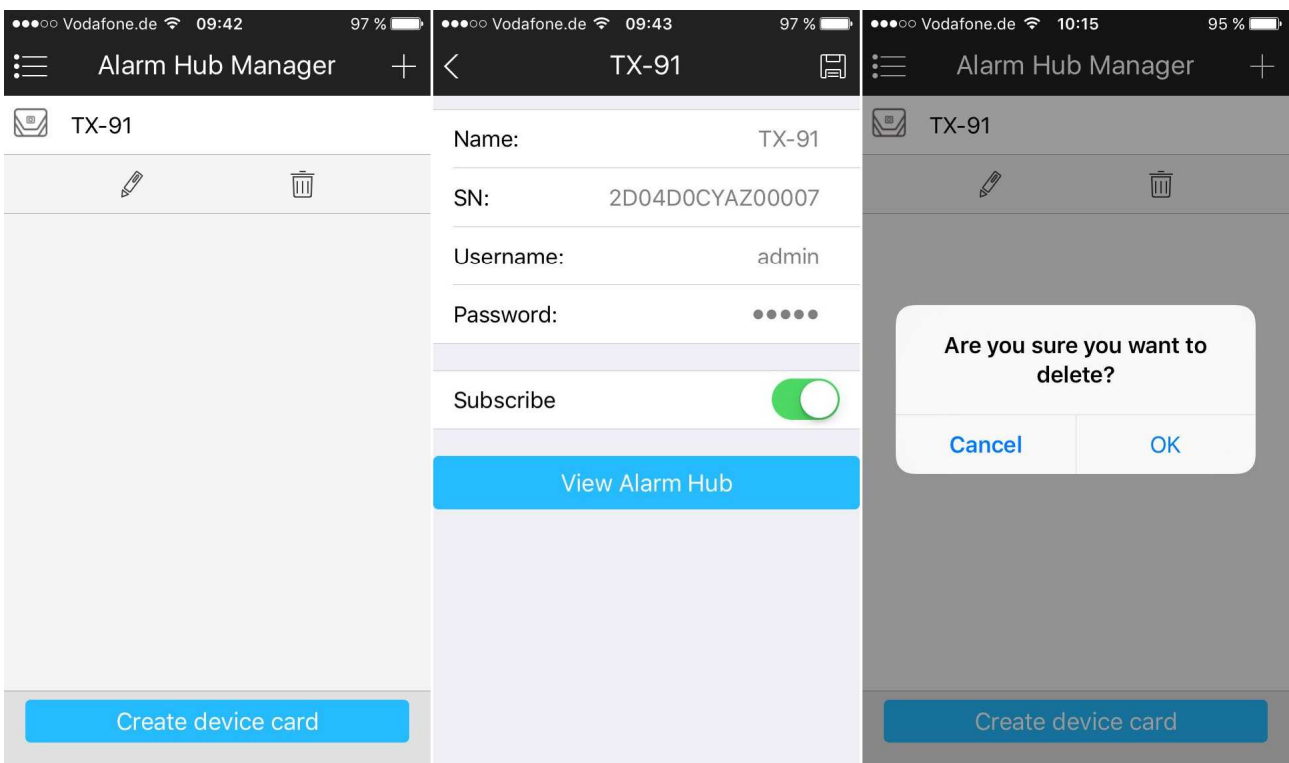
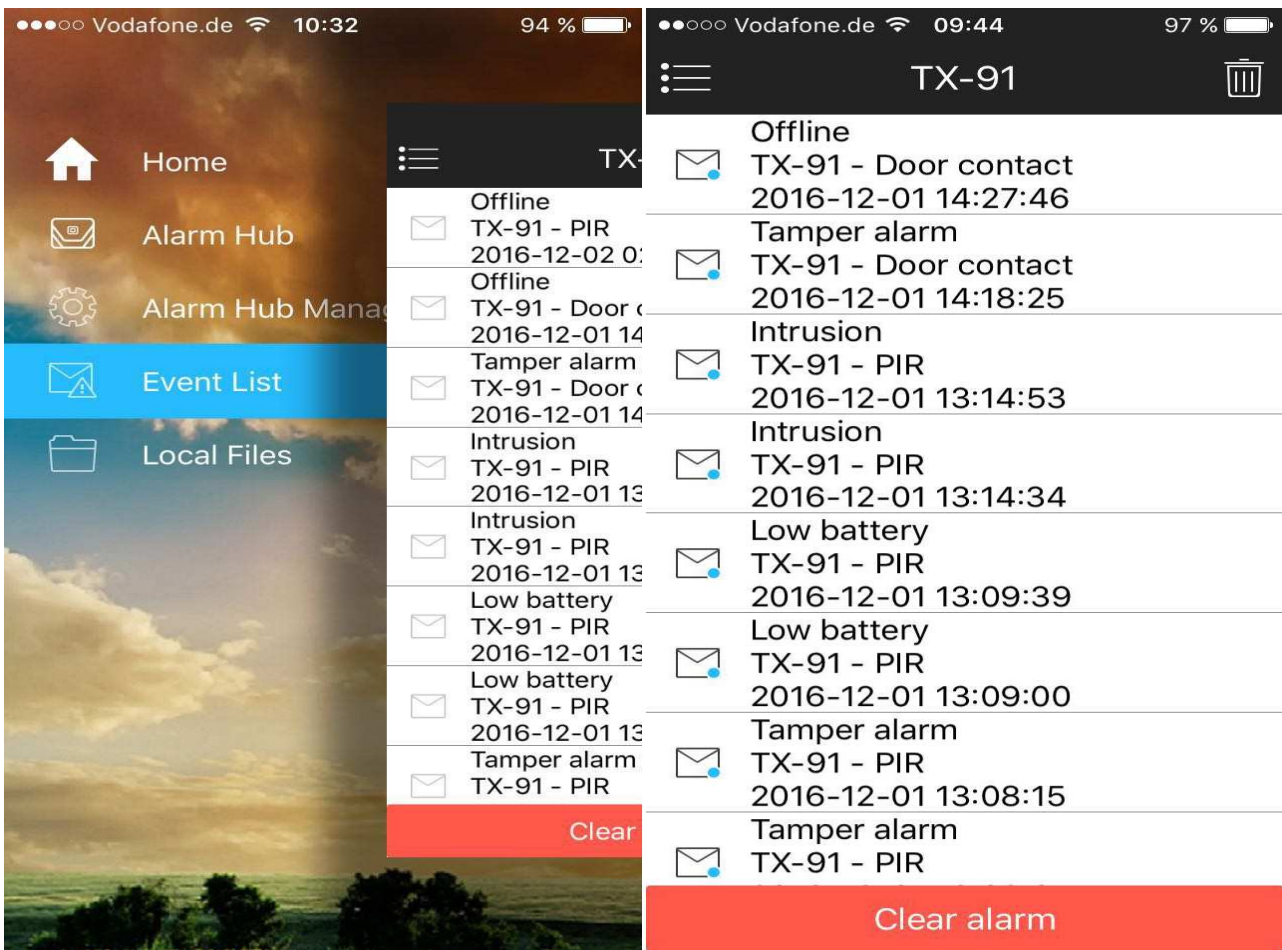


Figure 6-4

Modify (pencil)	Name: Set name of the device.
	Username: Enter Username of device. Default is admin.
	Password: Enter password of device. Default is admin.
	Subscribe: Enable this option to get push notifications when alarm is triggered.
	Save: Press the disk on the top right corner.
	View Alarm Basis Station: Go to back to the device, with saving settings.
Delete (trashcan)	Delete the device from the APP. To reconnect see chapter 5.1.1 Connect Basis Station.

6.2 Event List

See the push notifications in the event list that alarmed you of motion in your home (see Figure 6-5 below).



Alarm	Device / Function
Tamper alarm	Door contact, PIR motion detector, Siren: When the detector is removed from the wall or its bracket, or when the chassis is opened, the base station sends a push notification to the Smartphone. If you set under chapter 6.1.2 for Link device a camera or a door phone you will get through pressing on the event to the live view of the selected device.
Intrusion	Door contact, PIR sensor: When the detector is triggered, the base station sends a push notification to the Smartphone. If you set under chapter 6.1.2 for Link device a camera or a door phone you will get through pressing on the event to the live view of the selected device.
Offline	Door contact, PIR sensor, Siren / Indicates that the device has lost connection to Basis Station. Reason: Distance between Basis Station & Sensor too long or the interference is too strong. Solution: Install device closer to the Basis Station or reposition the Basis Station so that all devices (sensor, detector, siren) have nearly same distance to the Basis Station. Do not forget that the Basis Station still has to be in the WiFi range of your router.

Low battery status	Door contact, PIR sensor, Siren / Indicates that a battery change of the device is needed.
Emergency alarm	SOS button of the remote was triggered. / If you set under chapter 6.1.2 for Link device a camera or a door phone you will get through pressing on the event to the live view of the selected device.

6.3 Local Files

Under local files you see manual taken snapshots and records of the camera or door phone you connected with the PIR sensor or the Door contact. See chapter 6.1.2 Setting of Detector & Siren (see Figure 6-6).

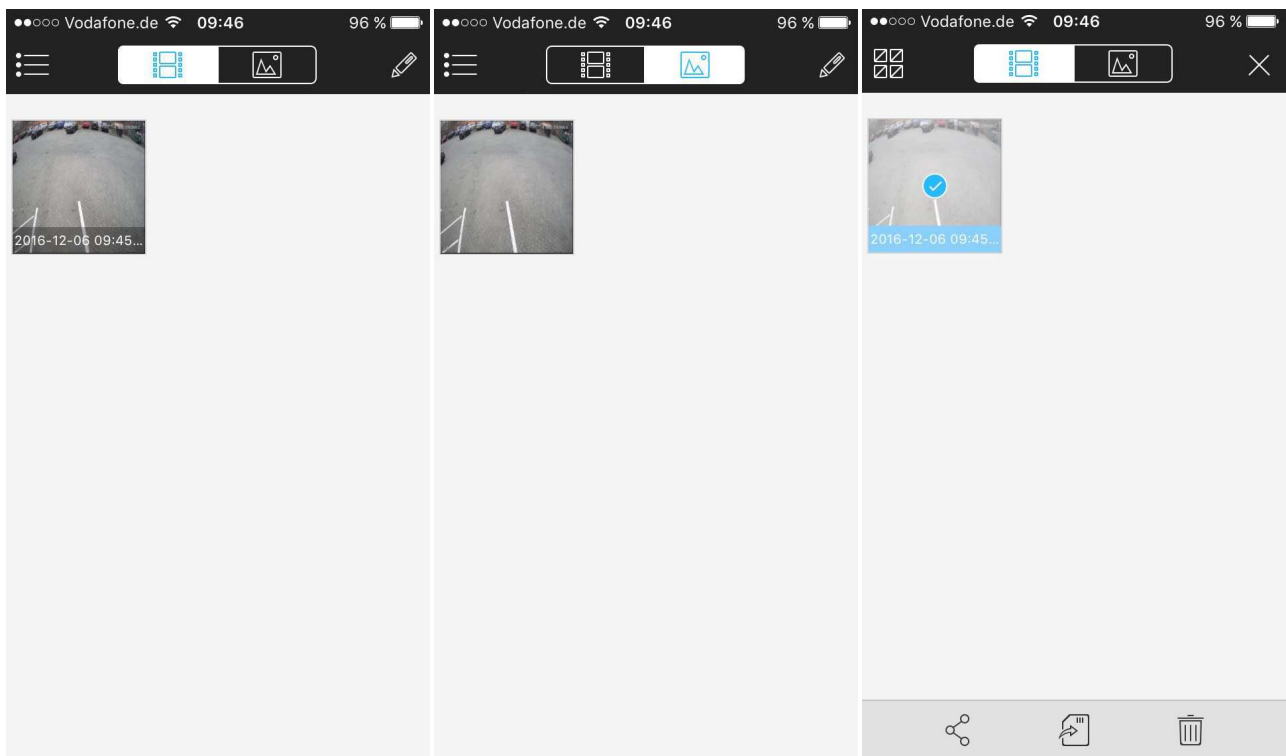


Figure 6-6

Tip: With the pencil on to top right corner on display you can modify snapshot or record. The options depend on the Smartphone you are using. Also you can delete the selected snapshot or record here.

7 Change batteries of devices

The Basis Station will send you a Push message when the battery status of a device is low. You will see a low battery status notification in the event list of your Smartphone. On the main screen you will see a small battery sign next to the device.

For TX-85, TX-86 and TX-88 it is necessary to use CR123A 3V batteries. Open the device with a flat cross-screwdriver and switch the old battery with the new one. Normally device should reconnect automatically. If not activate the pairing mode of the Basis station and then insert a new battery. If this does not work, the device has to be added again according to chapter 5.1.2.

For TX-87 it is necessary to use CR2032 3V button cell battery. Change the battery by using a screwdriver to remove the little screw on the back. Take a flat screwdriver carefully into the gap of the housing to open it.

8 FAQ

Q: I cannot boot up intelligent alarm Basis Station? **A:** Please check device input power.

Q: After alarm is triggered, my mobile phone client did not receive push? **A1:** Please check if network connection of Basis Station or router is normal. **A2:** Check to see whether the Alarm Alert Manager is enabled in the APP "Subscribe Alert".

Q: I failed to match accessory. **A:** The accessory may have the following problems: low battery, other device has been connected, distance is too far (exceeding valid range).

Q: Accessory is triggered without any response. **A:** The accessory may have the following problems: low battery, detector offline, exceed accessory detection range.

9 Technical Specification

9.1 WiFi Basis Station TX-91

Main process & OS	Embedded Micro controller & Linux OS
Encryption basis station	Sensor: 128bit-AES Encryption Algorithm
Wireless connections	up to 32 detectors (868MHz)
	up to 6 remote controls transmission distance ~10m (open areas)
Audio output	Built-in loudspeaker (alarm tone only)
WiFi protocol	IEEE802.11b/g/n, distance ~25m
Power supply (Micro USB)	DC 5V/ 2A, max 10W
Working temperature	-10°C up to +50°C
Installation	Wall mounting, indoor only
Weight & Dimensions	96g / (L) 9.4x (W) 11.4 x (H) 1.8cm

9.2 PIR Detection Sensor TX-85

Transmission frequency / power / distance	868MHz / 10dBm / ~200m (open areas)
Detection range / Method	~12m / passive infrared (not visible 6500 LUX illumination)
Viewing angle	horizontal 90° & vertical 70°
Alarm prompt	Red LED (LED can be set off)
Sensitivity	Two level (jumper cap) high or low
Power input	DC 3V/50mA
Power supply	1x CR123A battery 3V
Vandal-proof	Case and Wall
Installation	(H) ~2.1–2.5m, Wall or corner (indoor only), with bracket, screws or adhesive tape
Working conditions	–10°C ~ +50°C / < 95% RH
Weight / Dimensions	76g (without battery) / (L) 10.5 x (W) 6.2 x (H) 4.2cm

9.3 WiFi Door and Window Contact TX-86

Transmission frequency / power / distance	868MHz / 10dBm / ~200m (open areas)
Distance sensor to magnet	1mm – 25mm
Alarm prompt	Red LED
Power input	DC 3V/50mA
Power supply	1x CR123A battery 3V
Vandal-proof	Case and Wall
Installation	Fixed with screws or adhesive tape, indoor only
Working conditions	–10°C ~ +50°C / < 95% RH
Weight / Dimensions Sensor	33g (without battery) / (L) 8.3 x (W) 3.8 x (H) 2.0cm
Weight / Dimensions Magnet	34g / (L) 8.3 x (W) 2.5 x (H) 2.0cm

9.4 Remote Control SOS Button TX-87

Transmission frequency	3.15MHz min. / 868MHz regular / 915MHz max.
Transmission power	9.2dBm min. / 9.6dBm regular / 10dBm max.
Transmission distance	~10m open areas
Power supply	1x CR2032 battery 3V
Low consumption, current under standby	<10nA
Working voltage	1.8V min. / 3.0V regular / 3.6V max.
Data transmission rate	100Kbps max.
Transmission current	+10dBm 3.0V / 18.9mA min. / 19.8mA regular / 21mA max.
Data rate (FSK modulation)	Min. 0.1Kbps / Regular 4.8Kbps / Max. 100Kbps
Working temperature	–10° ~ +50°C
Protection class	IP20 (protection against small parts from Ø 12.5mm, not waterproof)
Dimension	20g (with battery) / (L) 6.2 x (W) 3.0 x (H) 1.4cm

9.5 WiFi Alarm Siren TX-88

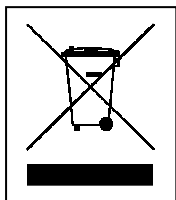
Transmission frequency / power / distance	868MHz / 10dBm / ~200m (open areas)
Sound Intensity	85dB (within 1m distance)
Power input batteries	DC 12V/200mA
Power supply	4x CR123A battery 3V
Vandal-proof	Case and Wall
Working conditions	-10°C ~ +50°C / < 95% RH
Installation	Wall mounting (indoor only)
Weight & Dimensions	140g (without batteries) / (L) 11.3 x (W) 7.2 x (H) 3.0cm

Important Safeguards and Warnings

- Do not expose the device to lampblack, steam or dust. Otherwise it may cause fire or electric shock.
- Do not install the device at position exposed to sunlight or in high temperature. Temperature rise in device may cause fire.
- Do not expose the device to humid environment. Otherwise it may cause fire.
- The device must be installed on solid and flat surface in order to guarantee safety under load and earthquake. Otherwise, it may cause device to fall off or turnover.
- Do not place the device on carpet or quilt.
- Do not block air vent of the device or ventilation around the device. Otherwise, temperature in device will rise and may cause fire.
- Do not place any object on the device.
- Do not disassemble the device without professional instruction.
- Use battery properly to avoid fire, explosion and other dangers. Replace used battery with battery of the same type. Do not use power line other than the one specified. Use it properly. Otherwise, it may cause fire or electric shock.



Security and Disposal Hints for Batteries: Hold children off batteries. When a child swallowed a battery go to a doctors place or bring the child into a hospital promptly! Look for the right polarity (+) and (-) of batteries! Always change all batteries. Never use old and new batteries or batteries of different types together. Never short, open, deform or load up batteries! **Risk of injury!** Never throw batteries into fire! **Risk of explosion!**



Hints for Environment Protection: Packages materials are raw materials and can be recycled. Do not disposal old devices or batteries into the domestic waste. **Cleaning:** Protect the device from contamination and pollution (use a clean drapery). Avoid using rough, coarse-grained materials or solvents/aggressive cleaner. Wipe the cleaned device accurately. **Distributor:** Technaxx Deutschland GmbH & Co.KG, Kruppstr. 105, 60388 Frankfurt a.M., Germany

This product includes software developed by third parties, including software which is released under the GNU General Public License Version 2 (GPL v2). This program is free software; you can redistribute it and/or modify it under the terms of the GNU General Public License as published by the Free Software Foundation; either version 2 of the License, or (at your option) any later version. You may obtain a complete machine-readable copy of the source code for the above mentioned software under the terms of GPL v2 without charge except for the cost of media, shipping, and handling, upon written request to Technaxx GmbH & Co. KG, Kruppstraße 105, 60388 Frankfurt am Main, Germany.

This program is distributed in the hope that it will be useful, but WITHOUT ANY WARRANTY; without even the implied warranty of MERCHANTABILITY or FITNESS FOR A PARTICULAR PURPOSE. See the GNU General Public License for more details. You should have received a copy of the GNU General Public License along with this program; if not, write to the Free Software Foundation, Inc., 51 Franklin Street, Fifth Floor, Boston, MA 02110-1301, USA. (Notice from Technaxx: A copy of the GPL is included below).

GNU GENERAL PUBLIC LICENSE: Version 2, June 1991 / Copyright (C) 1989, 1991 Free Software Foundation, Inc. / 51 Franklin Street, Fifth Floor, Boston, MA 02110-1301, USA. Everyone is permitted to copy and distribute verbatim copies of this license document, but changing it is not allowed.

Preamble

● The licenses for most software are designed to take away your freedom to share and change it. By contrast, the GNU General Public License is intended to guarantee your freedom to share and change free software--to make sure the software is free for all its users. This General Public License applies to most of the Free Software Foundation's software and to any other program whose authors commit to using it. (Some other Free Software Foundation software is covered by the GNU Lesser General Public License instead.) You can apply it to your programs, too. ● When we speak of free software, we are referring to freedom, not price. Our General Public Licenses are designed to make sure that you have the freedom to distribute copies of free software (and charge for this service if you wish), that you receive source code or can get it if you want it, that you can change the software or use pieces of it in new free programs; and that you know you can do these things. ● To protect your rights, we need to make restrictions that forbid anyone to deny you these rights or to ask you to surrender the rights. These restrictions translate to certain responsibilities for you if you distribute copies of the software, or if you modify it. ● For example, if you distribute copies of such a program, whether gratis or for a fee, you must give the recipients all the rights that you have. You must make sure that they, too, receive or can get the source code. And you must show them these terms so they know their rights. ● We protect your rights with two steps: (1) copyright the software, and (2) offer you this license which gives you legal permission to copy, distribute and/or modify the software. ● Also, for each author's protection and ours, we want to make certain that everyone understands that there is no warranty for this free software. If the software is modified by someone else and passed on, we want its recipients to know that what they have is not the original, so that any problems introduced by others will not reflect on the original authors' reputations. ● Any free program is threatened constantly by software patents. We wish to avoid the danger that redistributors of a free program will individually obtain patent licenses, in effect making the program proprietary. To prevent this, we have made it clear that any

patent must be licensed for everyone's free use or not licensed at all. ●The precise terms and conditions for copying, distribution and modification follow.

TERMS AND CONDITIONS FOR COPYING, DISTRIBUTION AND MODIFICATION

0. This License applies to any program or other work which contains a notice placed by the copyright holder saying it may be distributed under the terms of this General Public License. The "Program", below, refers to any such program or work, and a "work based on the Program" means either the Program or any derivative work under copyright law: that is to say, a work containing the Program or a portion of it, either verbatim or with modifications and/or translated into another language. (Hereinafter, translation is included without limitation in the term "modification".) Each licensee is addressed as "you". Activities other than copying, distribution and modification are not covered by this License; they are outside its scope. The act of running the Program is not restricted, and the output from the Program is covered only if its contents constitute a work based on the Program (independent of having been made by running the Program). Whether that is true depends on what the Program does.

1. You may copy and distribute verbatim copies of the Program's source code as you receive it, in any medium, provided that you conspicuously and appropriately publish on each copy an appropriate copyright notice and disclaimer of warranty; keep intact all the notices that refer to this License and to the absence of any warranty; and give any other recipients of the Program a copy of this License along with the Program. You may charge a fee for the physical act of transferring a copy, and you may at your option offer warranty protection in exchange for a fee.

2. You may modify your copy or copies of the Program or any portion of it, thus forming a work based on the Program, and copy and distribute such modifications or work under the terms of Section 1 above, provided that you also meet all of these conditions:

a) You must cause the modified files to carry prominent notices stating that you changed the files and the date of any change. **b)** You must cause any work that you distribute or publish, that in whole or in part contains or is derived from the Program or any part thereof, to be licensed as a whole at no charge to all third parties under the terms of this License. **c)** If the modified program normally reads commands interactively when run, you must cause it, when started running for such interactive use in the most ordinary way, to print or display an announcement including an appropriate copyright notice and a notice that there is no warranty (or else, saying that you provide a warranty) and that users may redistribute the program under these conditions, and telling the user how to view a copy of this License. (Exception: if the Program itself is interactive but does not normally print such an announcement, your work based on the Program is not required to print an announcement). These requirements apply to the modified work as a whole. If identifiable sections of that work are not derived from the Program, and can be reasonably considered independent and separate works in themselves, then this License, and its terms, do not apply to those sections when you distribute them as separate works. But when you distribute the same sections as part of a whole which is a work based on the Program, the distribution of the whole must be on the terms of this License, whose permissions for other licensees extend to the entire whole, and thus to each and every part regardless of who wrote it. Thus, it is not the intent of this section to claim rights or contest your rights to work written entirely by you; rather, the intent is to exercise the right to control the distribution of derivative or collective works based on the Program. In addition, mere aggregation of another work not based on

the Program with the Program (or with a work based on the Program) on a volume of a storage or distribution medium does not bring the other work under the scope of this License.

3. You may copy and distribute the Program (or a work based on it, under Section 2) in object code or executable form under the terms of Sections 1 and 2 above provided that you also do one of the following:

a) Accompany it with the complete corresponding machine-readable source code, which must be distributed under the terms of Sections 1 and 2 above on a medium customarily used for software interchange; or, **b)** Accompany it with a written offer, valid for at least three years, to give any third party, for a charge no more than your cost of physically performing source distribution, a complete machine-readable copy of the corresponding source code, to be distributed under the terms of Sections 1 and 2 above on a medium customarily used for software interchange; or, **c)** Accompany it with the information you received as to the offer to distribute corresponding source code. (This alternative is allowed only for noncommercial distribution and only if you received the program in object code or executable form with such an offer, in accord with Subsection b above.)

The source code for a work means the preferred form of the work for making modifications to it. For an executable work, complete source code means all the source code for all modules it contains, plus any associated interface definition files, plus the scripts used to control compilation and installation of the executable. However, as a special exception, the source code distributed need not include anything that is normally distributed (in either source or binary form) with the major components (compiler, kernel, and so on) of the operating system on which the executable runs, unless that component itself accompanies the executable. If distribution of executable or object code is made by offering access to copy from a designated place, then offering equivalent access to copy the source code from the same place counts as distribution of the source code, even though third parties are not compelled to copy the source along with the object code.

4. You may not copy, modify, sublicense, or distribute the Program except as expressly provided under this License. Any attempt otherwise to copy, modify, sublicense or distribute the Program is void, and will automatically terminate your rights under this License. However, parties who have received copies, or rights, from you under this License will not have their licenses terminated so long as such parties remain in full compliance.

5. You are not required to accept this License, since you have not signed it. However, nothing else grants you permission to modify or distribute the Program or its derivative works. These actions are prohibited by law if you do not accept this License. Therefore, by modifying or distributing the Program (or any work based on the Program), you indicate your acceptance of this License to do so, and all its terms and conditions for copying, distributing/modifying the Program or works based on it.

6. Each time you redistribute the Program (or any work based on the Program), the recipient automatically receives a license from the original licensor to copy, distribute or modify the Program subject to these terms and conditions. You may not impose any further restrictions on the recipients' exercise of the rights granted herein. You are not responsible for enforcing compliance by third parties to this License.

7. If, as a consequence of a court judgment or allegation of patent infringement or for any other reason (not limited to patent issues), conditions are imposed on you (whether by court order, agreement or otherwise) that contradict the conditions of this License, they do not excuse you from the conditions of this License. If you cannot distribute so as to satisfy simultaneously your obligations under this License and any other pertinent obligations, then

as a consequence you may not distribute the Program at all. For example, if a patent license would not permit royalty-free redistribution of the Program by all those who receive copies directly or indirectly through you, then the only way you could satisfy both it and this License would be to refrain entirely from distribution of the Program. ● If any portion of this section is held invalid or unenforceable under any particular circumstance, the balance of the section is intended to apply and the section as a whole is intended to apply in other circumstances. ● It is not the purpose of this section to induce you to infringe any patents or other property right claims or to contest validity of any such claims; this section has the sole purpose of protecting the integrity of the free software distribution system, which is implemented by public license practices. Many people have made generous contributions to the wide range of software distributed through that system in reliance on consistent application of that system; it is up to the author/donor to decide if he or she is willing to distribute software through any other system and a licensee cannot impose that choice. This section is intended to make thoroughly clear what is believed to be a consequence of the rest of this License.

8. If the distribution and/or use of the Program is restricted in certain countries either by patents or by copyrighted interfaces, the original copyright holder who places the Program under this License may add an explicit geographical distribution limitation excluding those countries, so that distribution is permitted only in or among countries not thus excluded. In such case, this License incorporates the limitation as if written in the body of this License.

9. The Free Software Foundation may publish revised and/or new versions of the General Public License from time to time. Such new versions will be similar in spirit to the present version, but may differ in detail to address new problems or concerns. Each version is given a distinguishing version number. If the Program specifies a version number of this License which applies to it and "any later version", you have the option of following the terms and conditions either of that version or of any later version published by the Free Software Foundation. If the Program does not specify a version number of this License, you may choose any version ever published by the Free Software Foundation.

10. If you wish to incorporate parts of the Program into other free programs whose distribution conditions are different, write to the author to ask for permission. For software which is copyrighted by the Free Software Foundation, write to the Free Software Foundation; we sometimes make exceptions for this. Our decision will be guided by the two goals of preserving the free status of all derivatives of our free software and of promoting the sharing and reuse of software generally.

NO WARRANTY

11. Because the program is licensed free of charge, there is no warranty for the program, to the extent permitted by applicable law. Except when otherwise stated in writing the Copyright holder and/or other parties provide the program "AS IS" without warranty of any kind, either expressed or implied, including, but not limited to, the implied warranties of merchantability and fitness for a particular purpose. The entire risk as to the quality and performance of the program is with you. Should the program prove defective, you assume the cost of all necessary servicing, repair or correction.

12. In no event unless required by applicable law or agreed to in writing will any Copyright holder, or any other party who may modify and/or redistribute the program as permitted above, be liable to you for damages, including any general, special, incidental or consequential. Damages arising out of the use or inability to use the program (including but not limited to loss of data or data being rendered inaccurate or losses sustained by you or

third parties or a failure of the program to operate with any other programs), even if such holder or other party has been advised of the possibility of such damages.

END OF TERMS AND CONDITIONS

HOW TO APPLY THESE TERMS TO YOUR NEW PROGRAMS

(1) If you develop a new program, and you want it to be of the greatest possible use to the public, the best way to achieve this is to make it free software which everyone can redistribute and change under these terms.

(2) To do so, attach the following notices to the program. It is safest to attach them to the start of each source file to most effectively convey the exclusion of warranty; and each file should have at least the "copyright" line and a pointer to where the full notice is found.

<one line to give the program's name and an idea of what it does.>

Copyright (C) <yyyy> <name of author>

(3) This program is free software; you can redistribute it and/or modify it under the terms of the GNU General Public License as published by the Free Software Foundation; either version 2 of the License, or (at your option) any later version.

(4) This program is distributed in the hope that it will be useful, but WITHOUT ANY WARRANTY; without even the implied warranty of MERCHANTABILITY or FITNESS FOR A PARTICULAR PURPOSE. See the GNU General Public License for more details.

(5) You should have received a copy of the GNU General Public License along with this program; if not, write to the Free Software Foundation Inc; 51 Franklin Street, Fifth Floor, Boston, MA 02110-1301, USA.

(6) Also add information on how to contact you by electronic and paper mail.

(7) If the program is interactive, make it output a short notice like this when it starts in an interactive mode: Gnomovision version 69, Copyright (C) year name of author Gnomovision comes with ABSOLUTELY NO WARRANTY; for details type `show w'.

(8) This is free software, and you are welcome to redistribute it under certain conditions; type `show c' for details.

(9) The hypothetical commands `show w' and `show c' should show the appropriate parts of the General Public License. Of course, the commands you use may be called something other than `show w' and `show c'; they could even be mouse-clicks or menu items--whatever suits your program.

(10) You should also get your employer (if you work as a programmer) or your school, if any, to sign a "copyright disclaimer" for the program, if necessary. Here is a sample; alter the names:

(11) Yoyodyne, Inc., hereby disclaims all copyright interest in the program `Gnomovision' (which makes passes at compilers) written by James Hacker.

<signature of Ty Coon>, 1 April 1989 [Ty Coon, President of Vice]